

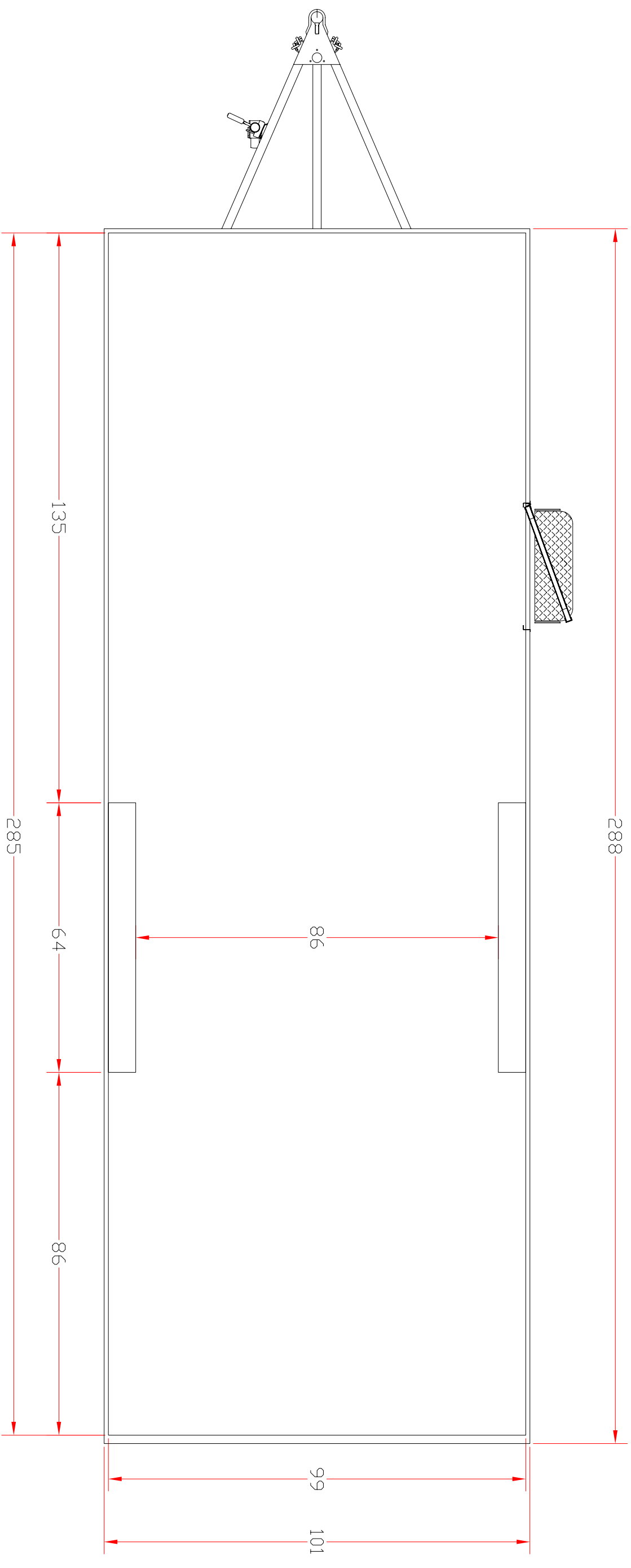
24ft PRO II WB ENCLOSED TRAILER

POPULAR OPTIONS

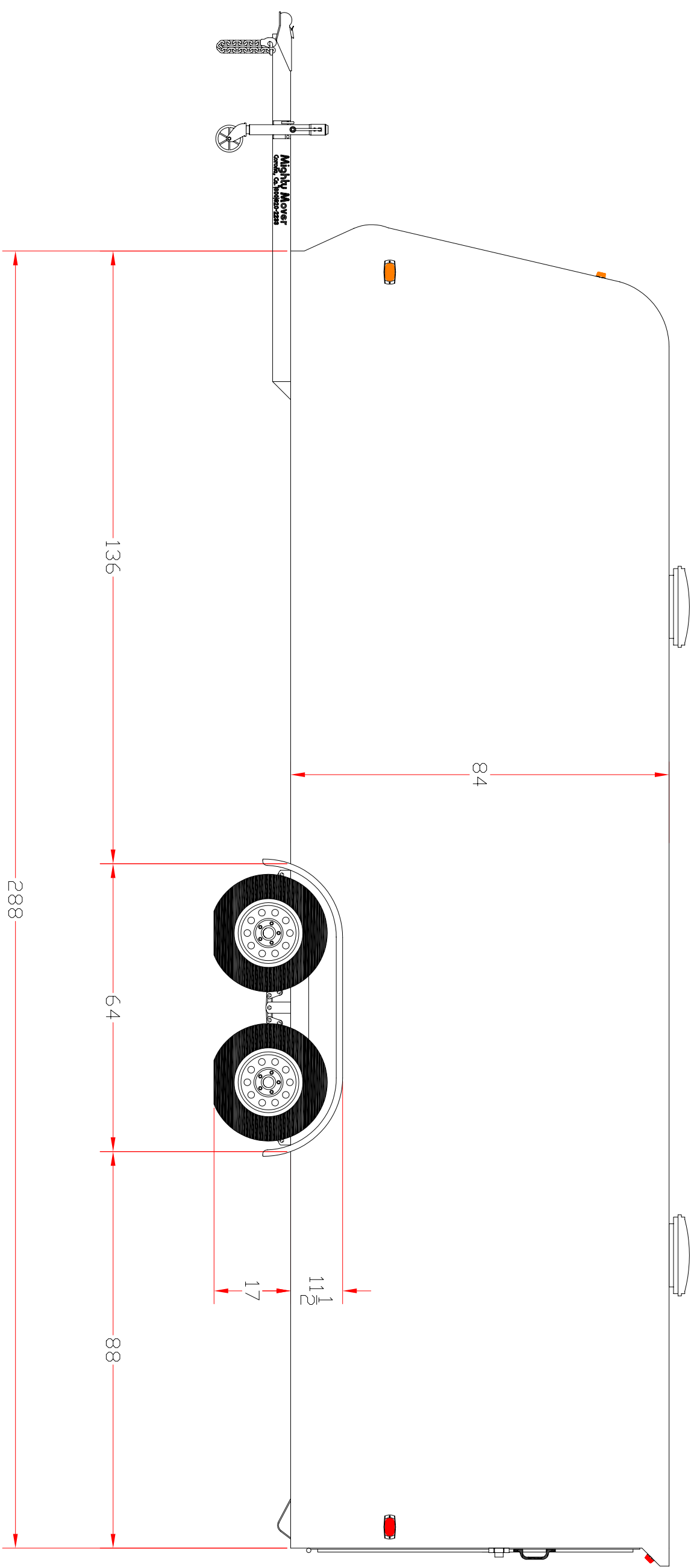


- Tinted Slider Windows, with Screen – 22" x 40"
- Full Width Front Work Bench
- Full Width Front Overhead Cabinet with 12volt Dome Light
- Full Width Front Work Center – Overhead Cabinet, Work Bench, Lower Facing with Double Doors
- Side Overhead Cabinets
- 36" x 72" Side Entry Door Exchange
- 46" x 72" Side Entry Door Exchange
- Side Ramp Door
- Double Rear Cargo Doors
- Flush Mounted 5,000lb Capacity "D" Ring
- Reinforced Walk-On Roof
- Under-Floor, Hinged Lid, Storage Pod (approx: 60" x 22" x 11")
- Dovetail
- Heavy Duty Rear Skid Rollers
- Swing Down Rear Stabilizer Jacks
- Heavy Duty Crank Down Stabilizer Jacks
- 115v, 30amp Electrical System with Panel, Power Cord and Three (3) Duplex Outlets
- 115v, 4ft Double Tube Fluorescent Light Fixtures with Wall Switch
- 115v, GFI Protected Exterior Outlets
- 13,500btu Roof Mounted Air Conditioner with Heat Strip
- 115v, 500watt Exterior Flush Mounted Quartz Flood Lights with Wall Switch
- 12v Deep Cycle Battery with Plastic Case
- 12v Exterior Flush Mounted Docking Lights
- 12v Exterior Porch Light
- 12v Heavy Duty Electric Tongue Jack
- 12v Rear Loading Lights with Wall Switch
- 12v Electric Winch with Wired Remote
- Drive Over Wheel Wells
- Rubber Torsion Axle Exchange
- 40gal Fresh Water System with 40gal Tank, Pump, Spigot, and Battery
- 1-1/8" Tongue and Groove Plywood Deck Exchange
- Black and White Vinyl Checkerboard Flooring (requires 1-1/8" plywood deck option)
- Roll-Up RV Awnings
- Front V-Nose
- Chrome Wheel Exchange
- Radial Tire Exchange
- Removable Tongue Exchange
- Extended Tongue
- Rest Room
- Spare Tire and Wheel

24ft Pro II Enclosed Trailer



24ft Pro II Enclosed Trailer



24ft Pro II Enclosed Trailer

